

# ComNav®



## Ocean Master NX3 Solid State Rate Compass

### Accurate Heading and Rate of Turn data

- Outputs NMEA 0183 and NMEA 2000® data simultaneously
- Better than 1 degree heading accuracy
- Three Axis solid state compass for stabilized heading
- Easily mounted on any angled bulkhead
- Three-axis accelerometer provides pitch and roll data
- Heading Display Resolution: 0.1°
- 10Hz standard heading update rate, maximum 20Hz NMEA 2000®
- Calibration made easy using ComNav autopilots, Ocean series instrument or a PC/Display
- Three-axis rate gyro provides rate-of-turn data
- Fully compatible with on board NMEA 0183 or NMEA 2000® Instruments; Radar, Chartplotter, Autopilots and PC Displays
- Optional Color Display
- Water proof to IPX6 standards
- CE and RoHS compliant
- Two year warranty
- Worldwide service

### SPECIFICATIONS:

**Static Compass Accuracy:** <1° RMS

**Dynamic Compass Accuracy:** <2° RMS

**Heading Display Resolution:** 0.1°

**Settling Time:** 1 second

**Heading Data Output Update Rate:**

10Hz NMEA 0183

Adjustable up to 20Hz NMEA 2000®

**Rate-of-Turn Range:** 0° to 70° per second

**Rate-of-Turn Accuracy:** 1° per second

**Rate-of-Turn Data Output Update Rate:**

2Hz NMEA 0183

Adjustable up to 10Hz

Adjustable up to 20Hz NMEA 2000®

**Pitch and Roll Range:** ±50°

**Static Pitch and Roll Accuracy:** <1°

**Dynamic Pitch and Roll Accuracy:** <3°

**Pitch and Roll Display Resolution:** 0.1°

**Pitch and Roll Boat Alignment:** Yes with software

**Pitch and Roll Data Output Update Rate:**

2Hz NMEA 0183

Adjustable up to 10Hz

Adjustable up to 20Hz NMEA 2000®

### DATA OUTPUT PROTOCOL

#### NMEA 0183 Sentences

\$HCHDG: Heading, Deviation, and Variation

\$HCHDT: Heading Relative to True North\*

\$TIROT: Rate of Turn

\$YXXDR: Transducer Measurements: Vessel Attitude

\*Requires external GPS Input

#### NMEA 2000® Supported PGNs

127250: Vessel Heading

127251: Rate of Turn

127257: Attitude

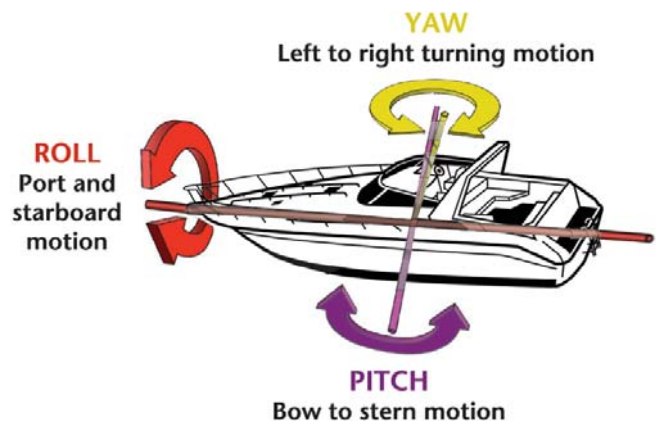
### POWER

**Input Voltage:** 9 to 16 VDC

**Current:** <140 mA

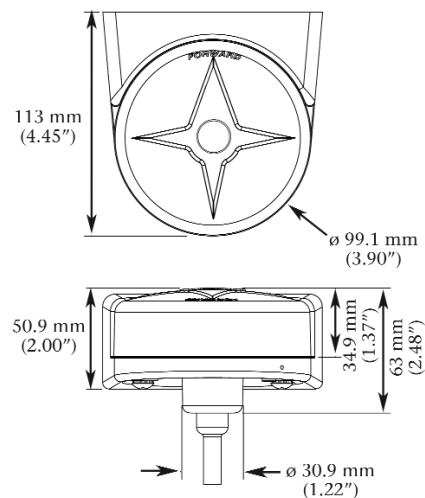
### COMPLIANCE

CE, IPX6, RoHs, IEC60945



**DIMENSIONS:** 113mm x 63mm W x H

4.45" x 2.48" W x H



### ADDITIONAL ACCESSORIES:

- 10m cable NMEA 0183 standard with system PN 11510030
- 6m cable NMEA 2000® with system PN 11510029
- Mounting Bracket & Hardware - included
- Gasket for Compass Mount - included

# ComNav®



**ComNav Marine Ltd.**

#15-13511 Crestwood Place,  
Richmond, British Columbia • Canada • V6V 2G1

Phone: 604-207-1600 • Fax: 604-207-8008

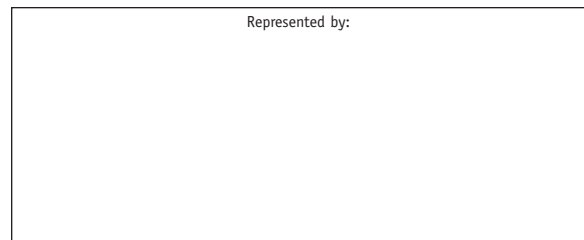
E-mail: sales@comnav.com

**www.comnav.com**

**Worldwide Service**

Printed in Canada

Represented by:



Specifications subject to change without notice